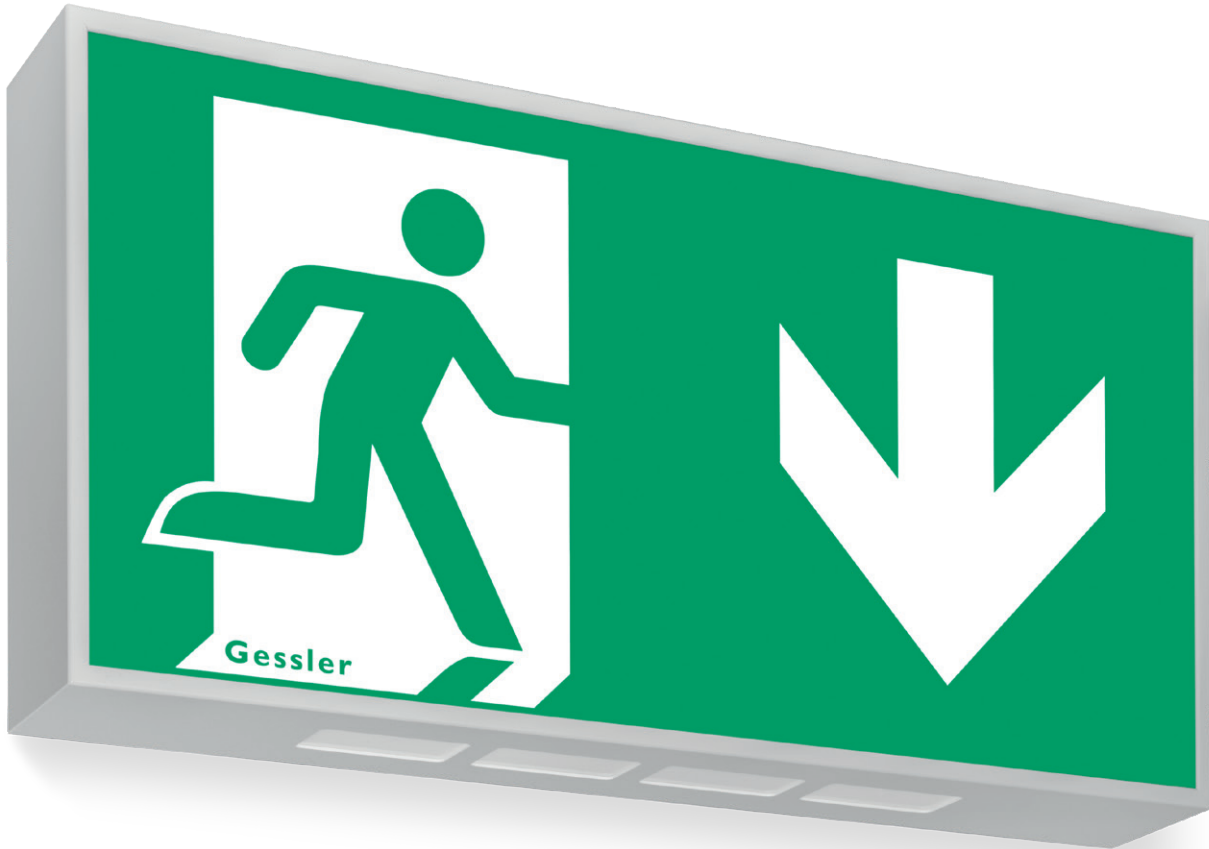


LUMINA 2000/17

56 m
IP40



LUMINA 2000/17

90/60/90 was yesteryear, 60/30/95 are the ideal dimensions of our 2000/17. With a viewing distance of 56 m, our largest exit sign luminaire is ideally suitable for shopping centres, railway stations and airports.



| | | |
|--------------------------|---|-----------------------|
| Viewing distance | 56 m | |
| Degree of protection | IP40 | |
| Class | I | |
| Enclosure material | Aluminium | |
| Enclosure colour/surface | RAL 9016 (white) | |
| Terminal block | 3 x 2.5 ² for through wiring | |
| Light source | LED | |
| Ambient temperature | -20° C to +40° C | 0° C to +40° C |
| Connected load (AC/DC) | 13.2 VA/6.7 W | |
| Supply voltage | 230V ± 10 %, 50/60 Hz/176-275 V DC | 230V ± 10 %, 50/60 Hz |
| Rechargeable battery | 3.6 V/4 Ah (NiCd) | |

VERSIONS

| | | |
|--------------------------------------|---|-------|
| 1 h with auto-check with BUS check | | • • |
| 3 h with auto-check with BUS check | | • • |
| 8 h with auto-check with BUS check | | |
| without monitoring module | • | |
| with monitoring module | • | |
| with DALI monitoring | • | |
| Cinema version | • | |
| Luminous flux in normal mode 10 % | | |

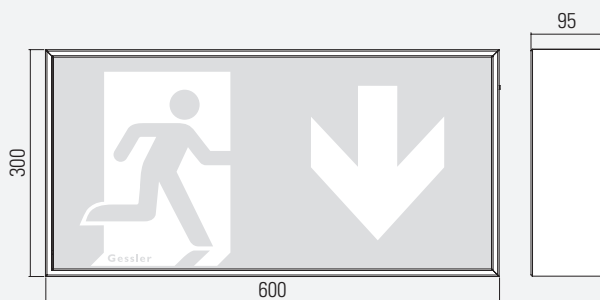
SPECIAL FEATURE

- Enclosure with additional window for downward light emission

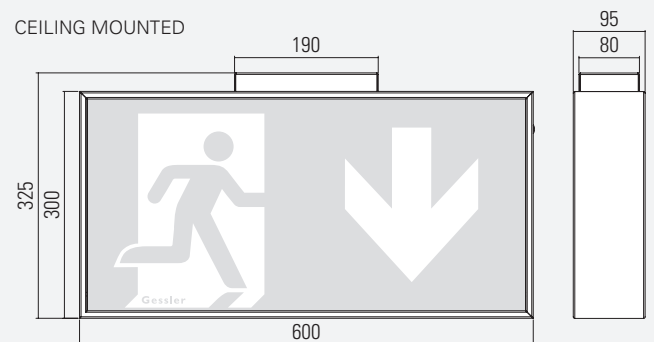
OPTIONS /ACCESSORIES

- Ball guard | - Other RAL colours on request

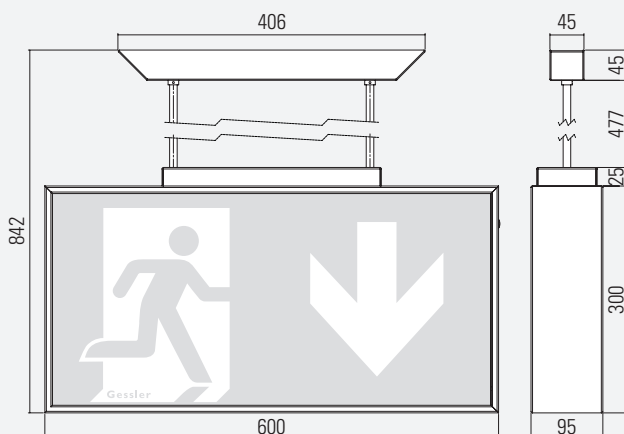
WALL MOUNTED



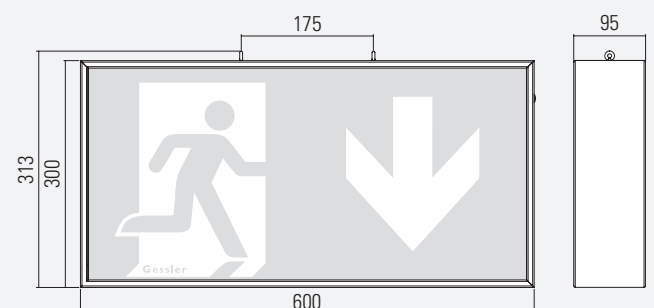
CEILING MOUNTED



PENDANT



EYE INSTALLATION



WALL BRACKET MOUNTING

