

STARLIGHT **S04** IP66 LED



Starlight S04 defies the wind and weather. This decorative emergency luminaire has a weather-resistant enclosure with die cast aluminium look and was especially designed for use in outdoor areas.

STARLIGHT S04

SYSTEM LUMINAIRE

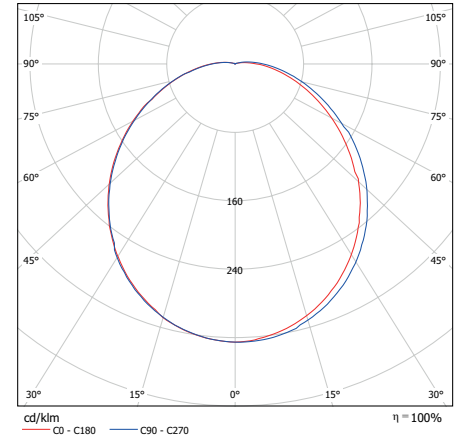
Degree of protection	IP66
Class	II
Enclosure material	PMMA
Enclosure colour/surface	black white
Terminal block	3 x 2.5 [□] for through wiring
Light source	LED
Ambient temperature	-20° C to +40° C
Connected load (AC/DC)	18.5 VA/11.0 W
Supply voltage	230V ± 10 %, 50/60 Hz/176-275 V DC

VERSIONS

1 h with auto-check with BUS check	
3 h with auto-check with BUS check	
8 h with auto-check with BUS check	
without monitoring module	•
with monitoring module	•
with DALI monitoring	•

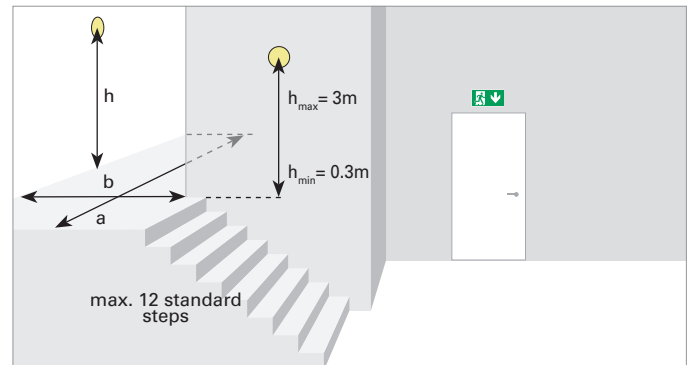
SPECIAL FEATURE

- Very high degree of protection (IP66)
- Weather resistant plastic
- Suitable for outdoors



WALL MOUNTED LIGHTING of ESCAPE ROUTES – EN 1838

Installation height h [m]	a [m]	b [m]
1.00	4.30	3.90
1.50	5.80	5.70
2.00	6.15	6.25
2.50	5.80	6.90
3.00	7.25	5.75



LIGHTING of OPEN AREAS > 60m² (anti-panic lighting) – EN 1838

Installation height [m]	Diagram 1	Diagram 2
3.00	5.50	14.00
4.00	6.00	16.75
5.00	6.50	17.75
6.00	7.00	19.25
7.00	7.25	20.50
8.00	7.50	21.50
9.00	7.50	22.75

LIGHTING of SALES AREAS (e.g. self-service stores) – EN 1838

Installation height [m]	Diagram 1	Diagram 2
3.00	4.00	11.75
4.00	4.50	13.25
5.00	5.00	14.25
6.00	5.00	15.50
7.00	5.25	16.50
8.00	5.25	17.00
9.00	5.00	18.00

All figures in metres from the middle of the luminaire

S04U UNIVERSAL INSTALLATION

