

# DISPLAY DR4

30 m  
IP20 | IP41



**green buildings**  
Gold certified exit sign  
luminaire for "sustainable  
building" according to  
LEED

## DISPLAY DR4

Show a clear edge. The Display DR4 is a real all-rounder. Whether design or option variety, this exit sign luminaire that has been awarded gold for sustainable building is convincing.



**DISPLAY DR4**

**SYSTEM LUMINAIRE**

Viewing distance	30 m		
Degree of protection	IP20 (DR4E)   IP41		
Class	I		
Enclosure material	Sheet steel		
Enclosure colour/surface	RAL 9016 (white)		
Terminal block	3 x 2.5 <sup>2</sup> for through wiring		
Light source	LED		
Ambient temperature	-20° C to +40° C		
Connected load (AC/DC)	Suspended surface mounted and suspended		10.0 VA/5.5 W
Supply voltage	230V ± 10 %, 50/60Hz / 176-275 V DC		

**VERSIONS**

1 h with auto-check   with BUS check	
3 h with auto-check   with BUS check	
8 h with auto-check   with BUS check	
without monitoring module	•
with monitoring module	•
with DALI monitoring	•
Cinema version	
Luminous flux in normal mode 10 %	

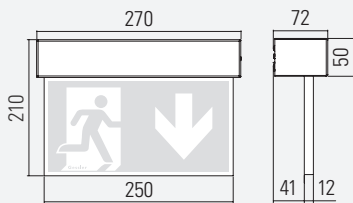
**SPECIAL FEATURE**

- Power supply via wire suspension

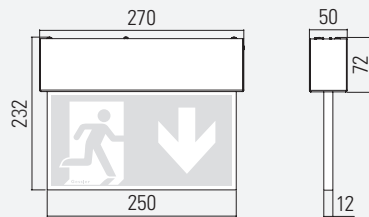
**OPTIONS /ACCESSORIES**

- Wire lengths up to 6 m | - Enclosure made of brushed stainless steel | - Ball guard | - Other RAL colours on request

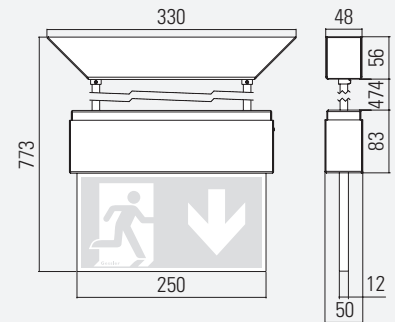
**DR4W** WALL MOUNTED



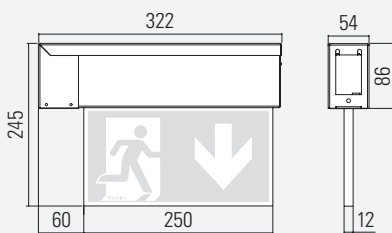
**DR4D** CEILING MOUNTED



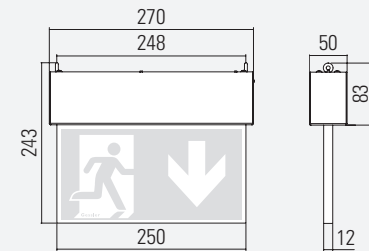
**DR4P** PENDANT



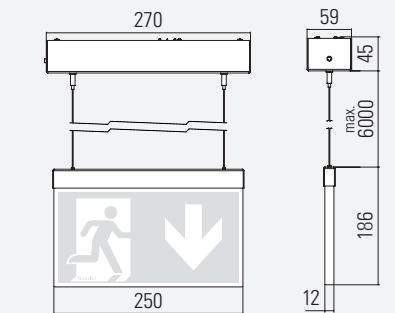
**DR4A** WALL BRACKET MOUNTING



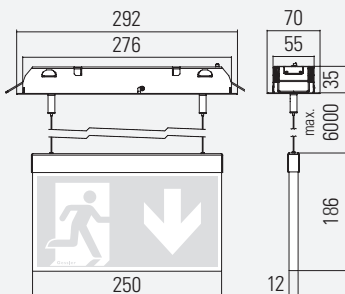
**DR4Ö** EYE INSTALLATION



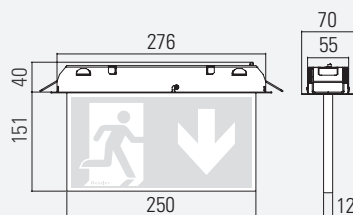
**DR4S** SUSPENDED



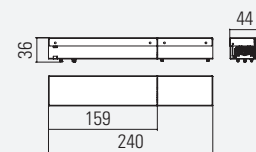
**DR4F** SUSPENDED, RECESSED BASE



**DR4E** RECESSED CEILING INSTALLATION



**JUNCTION BOX FOR DR4F + DR4E (SUSPENDED, RECESSED BASE)**



Ceiling cutout: 280 mm x 60 mm  
Maximum ceiling thickness: 45 mm  
Minimum clear ceiling height: 40 mm

Ceiling cutout: 280 mm x 60 mm  
Maximum ceiling thickness: 45 mm  
Minimum clear ceiling height: 40 mm